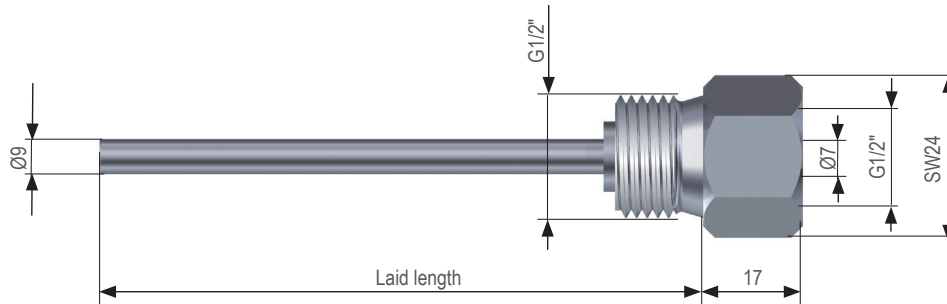


DATA SHEET



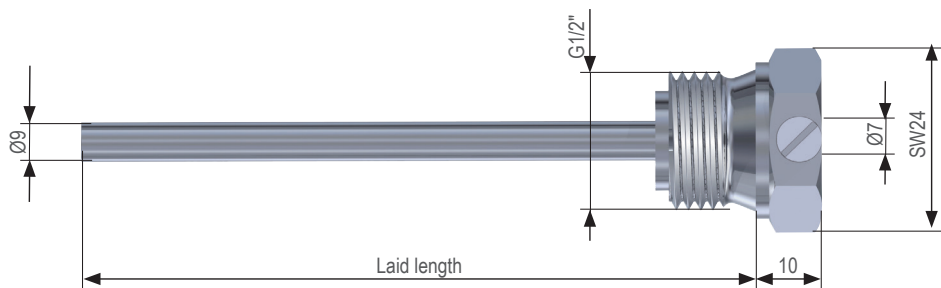
Screw in tube

Description



Screw in tube for temperature probe with connection head MA	
Material	Stainless steel 1.4571
Laid length	86 or 236 mm
Diameter	Ø9 mm
Thread	G1/2"
Bore diameter	7 mm
Inner thread	G1/2"
Fitting for	Resistance thermometer "MA1"

Article	Article no.
Screw in tube for resistance thermometer with connection head MA Ø9,0 mm, laid length 86 mm	MA104410086-01
Screw in tube for resistance thermometer with connection head MA Ø9,0 mm, laid length 236 mm	MA104410236-01



Screw in tube incl. locking screw for temperature probe with connection head MA	
Material	Stainless steel 1.4571
Laid length	86 or 236 mm
Diameter	Ø9 mm
Thread	G1/2"
Bore diameter	7 mm
Fitting for	Screw in resistance thermometer "MA2"

Article	Article no.
Screw in tube incl. locking screw for resistance thermometer with connection head MA Ø9,0 mm, laid length 86 mm	MA204410086-01
Screw in tube incl. locking screw for resistance thermometer with connection head MA Ø9,0 mm, laid length 236 mm	MA204410236-01