

# DATA SHEET



## Temperature probes with connection head BINOX<sup>®</sup>

### Description



### Technical data

Sensor	Pt100
Measurement range	-50...+400 °C
Accuracy	IEC 751 Class A
Measurement current	max. 1 mA
Connection type	3-wires connection
Nominal length	100 mm
Electrical connection	for cable Ø 3 - 5 mm / SW13

### Applications

- Dairy
- Brewery
- Beverage industry
- Food processing

### Benefits

- Washable
- Easy to clean
- Fast and maintenance-free installation

### Features

- Sealing made of EPDM
- All components of connection heads form MA and form B are useable
- For cable with diameter Ø 3 - 5 mm

### Characteristics

For manufacturing and refining of foodstuffs and pharmaceutical products a high and constant product quality is required.

The requirements regarding to temperature measuring points are very various in areas such as e.g. brewery, beverages industry, cosmetic industry, dairy industry as well as pharmaceutical industry. The requirements for material and processing are very high.

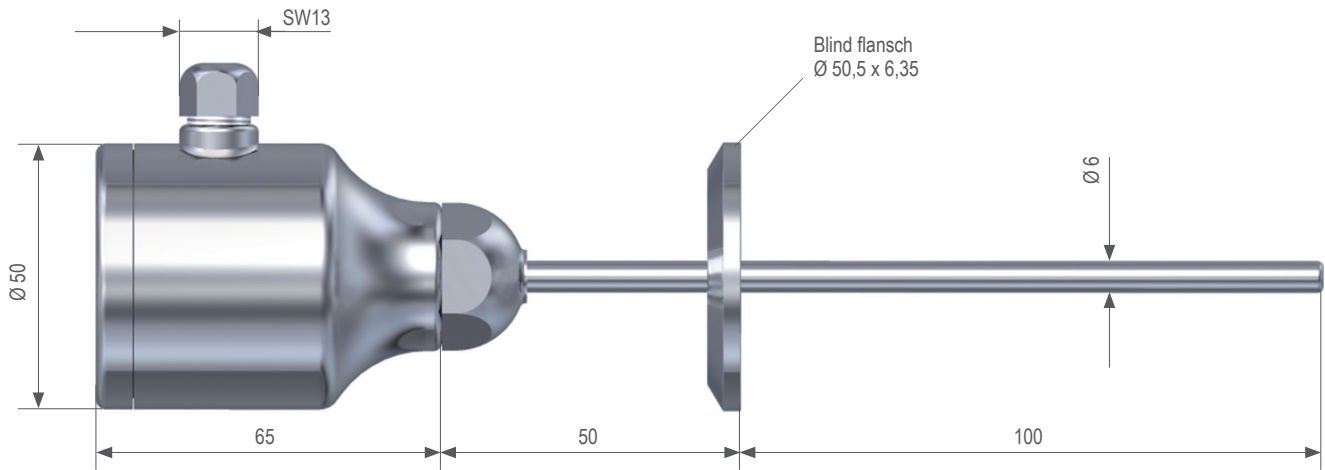
The B+B BINOX<sup>®</sup> temperature probes have been developed for the use in constantly changing mechanical and thermal stress.

For further information, visit our website:  
[www.bb-sensors.com](http://www.bb-sensors.com)

# DATA SHEET



## Temperature probe with connection head BINOX<sup>®</sup> 1 and clamp flange



Technical data	
Diameter	6 mm
Material	Stainless steel 1.4571
Process connection	Blind flange stainless steel 1.4301

Article	Art.-No.
Temperature probe with connection head BINOX <sup>®</sup> 1	0628 0072-100



Fitting flange

Accessories	Art.-Nro.
Fitting flange	0170 0726-02
Flange clamping	0170 0726-03
Sealing ring	0135 0099-01



Flange clamping

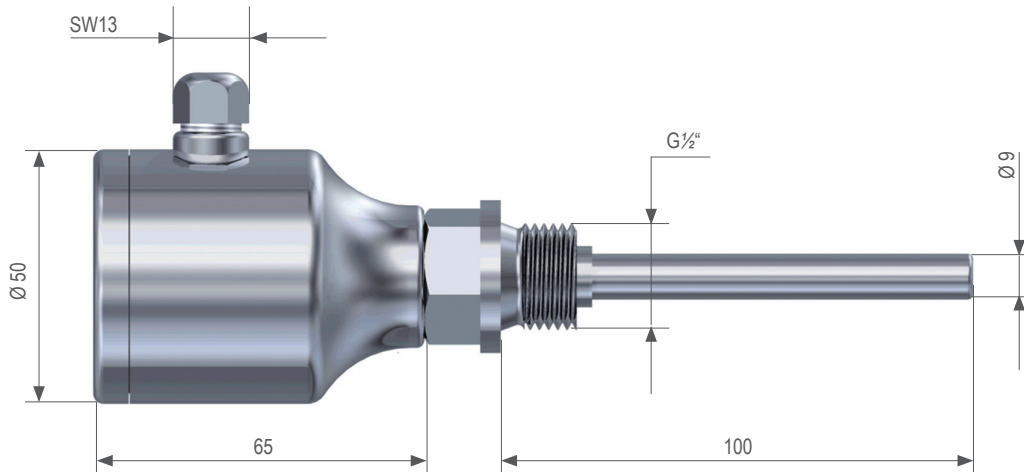


Sectional view  
sealing ring

# DATA SHEET



## Temperature probe with connection head BINOX<sup>®</sup> 1



### Technical data

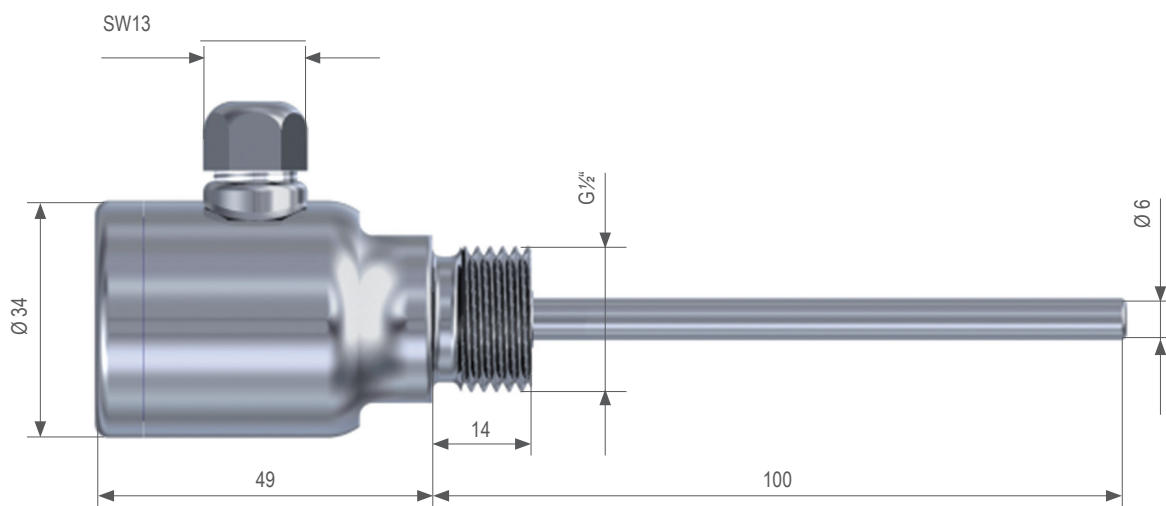
Diameter	9 mm
Material	Stainless steel 1.4571
Process connection	G 1/2"

### Article

### Art.-No.

Temperature probe with connection head BINOX<sup>®</sup> 1 0628 0037-10

## Temperature probe with connection head BINOX<sup>®</sup> 4



### Technical data

Diameter	6 mm
Material	Stainless steel 1.4301
Process connection	G 1/2"

### Article

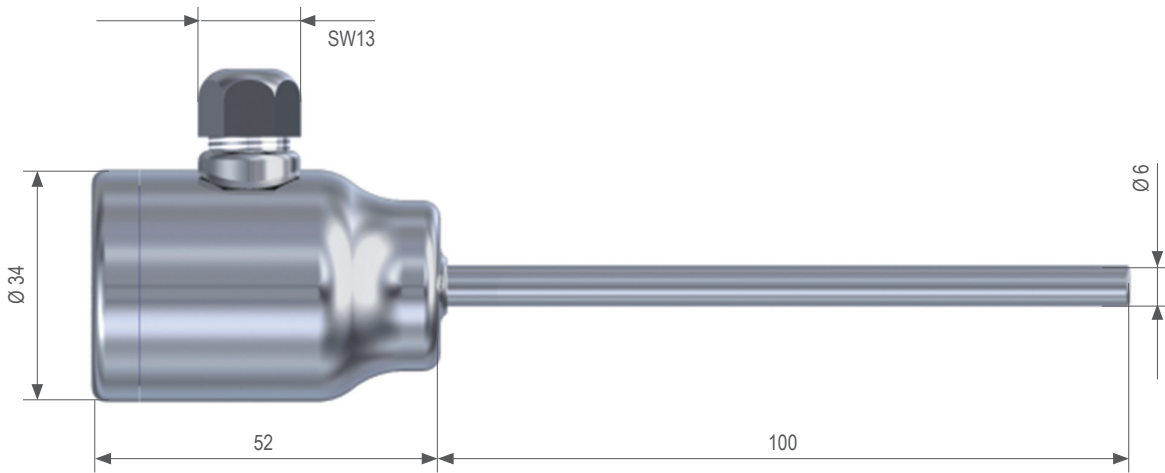
### Art.-No.

Temperature probe with connection head BINOX<sup>®</sup> 4 with thread G 1/2" 0628 0037-101

# DATA SHEET



## Temperature probes with connection head BINOX<sup>®</sup> 3



Technical data	
Diameter	6 mm
Material	Stainless steel 1.4301
Process connection	look at B+B compression fitting

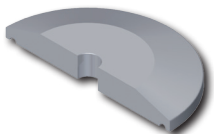
Article	Art.-No.
Temperature probe with connection head BINOX <sup>®</sup> 3	0628 0037-100



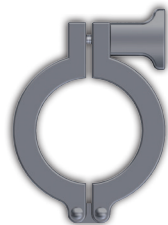
Compression fitting



Fitting flange



Sectional view blind flange



Flange clamping with nut



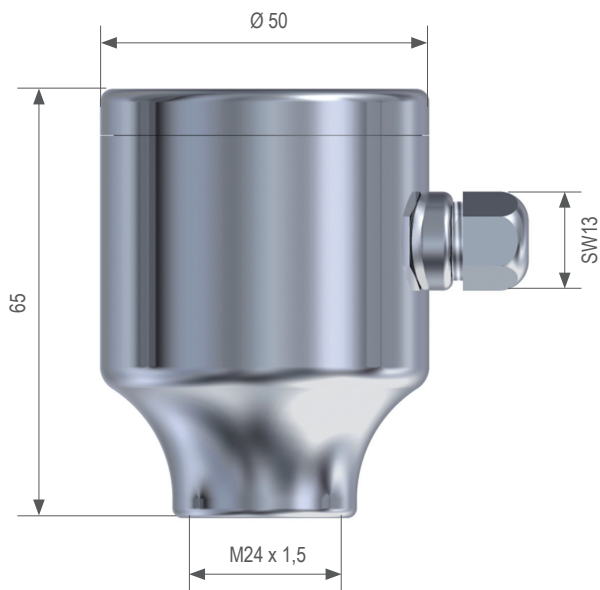
Sectional view sealing ring

Accessories	Art.-No.
Compression fitting:	
• Thread G½"	
• Drilling for Ø 6,0 mm	
• Material stainless steel 1.4571	
• Clamping cone PTFE	SHOP 0554 0098-10
Compression fitting:	
• Thread G½"	
• Drilling for Ø 6,0 mm	
• Material stainless steel 1.4571	
• Clamping cone stainless steel 1.4571	SHOP 0554 0098
Blind flange:	
• Stainless steel 1.4404	
• Welded to itself	0170 0726-01
Fitting flange	0170 0726-02
Flange clamping with wing nut	0170 0726-03
Sealing ring	0135 0099-01

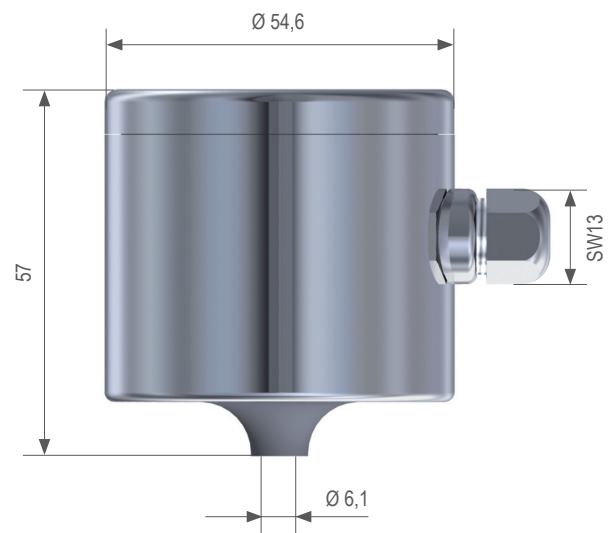
Other dimensions are available on request.

# DATA SHEET

## Connection head BINOX<sup>®</sup> 1



## Connection head BINOX<sup>®</sup> 2



Technical data	
Height of head	65 mm
Head diameter	50 mm
Process connection	M24 x 1,5
Material	Stainless steel 1.4571
Electrical connection	for cable Ø 3 - 5 mm / SW13

Technical data	
Height of head	57 mm
Head diameter	54,6 mm
Process connection	Ø 6,1
Material	Stainless steel 1.4571
Electrical connection	for cable Ø 3 - 5 mm / SW13

Accessories	Art.-No.
Terminal base 2-pole	0400 0087-50
Terminal base 4-pole	0400 0087
Terminal base 6-pole	0400 0087-60
Terminal base 8-pole	0400 0087-10

Accessories	Art.-No.
Terminal base 2-pole	0400 0087-50
Terminal base 4-pole	0400 0087
Terminal base 6-pole	0400 0087-60
Terminal base 8-pole	0400 0087-10

Article	Art.-No.
Connection head BINOX <sup>®</sup> 1	0400 0128-03

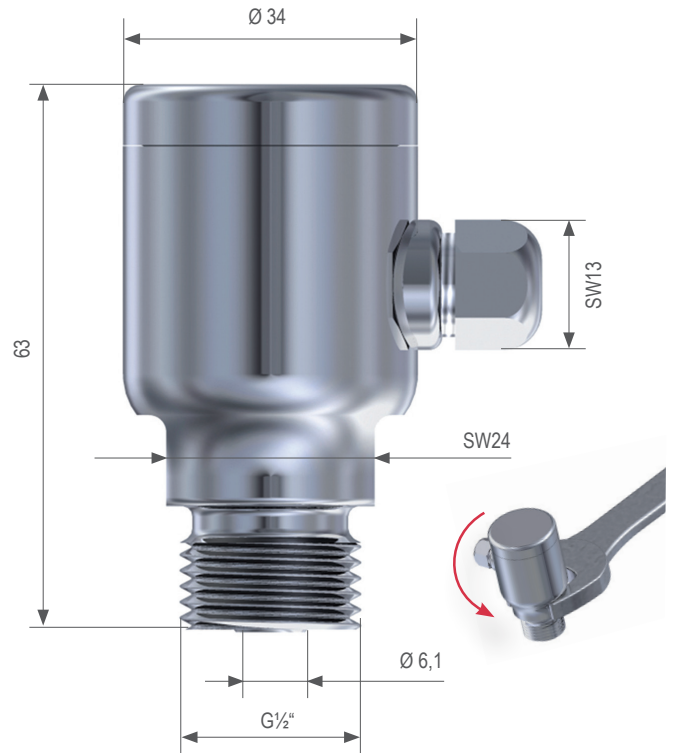
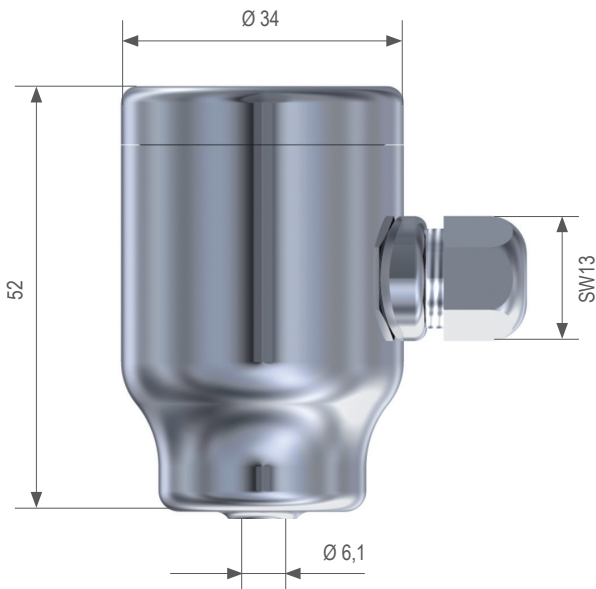
Article	Art.-No.
Connection head BINOX <sup>®</sup> 2	0400 0421-101

# DATA SHEET



## Connection head BINOX<sup>®</sup> 3

## Connection head BINOX<sup>®</sup> 4



Technical data	
Height of head	52 mm
Head diameter	34 mm
Inner bore for protective sleeve	6,1 mm
Material	Stainless steel 1.4301
Electrical connection	for cable Ø 3 - 5 mm / SW13

Technical data	
Height of head	63 mm
Head diameter	34 mm
Process connection	G1/2"
Inner bore for protective sleeve	6,1 mm
Material	Stainless steel 1.4301
Electrical connection	for cable Ø 3 - 5 mm / SW13

Accessories	Art.-No.
Terminal base 2-pole	0400 0090
Terminal base 4-pole	0400 0090-10

Accessories	Art.-No.
Terminal base 2-pole	0400 0090
Terminal base 4-pole	0400 0090-10

Article	Art.-No.
Connection head BINOX <sup>®</sup> 3	0400 0099-11

Article	Art.-No.
Connection head BINOX <sup>®</sup> 4	0400 0099-05