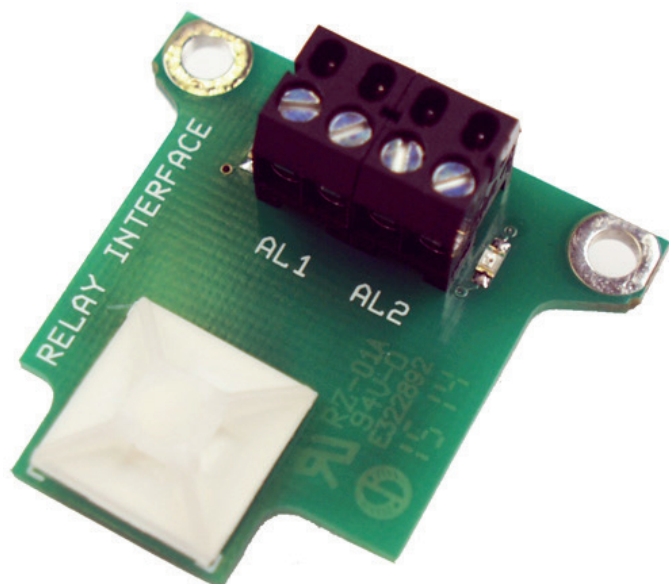


# OPERATION MANUAL



## Relay-Interface Kit

### Description



### Characteristic features

- Potential free relay extension
- Switching capacity 60 VDC / 40 VAC at max. 0,4 A

### Scope of delivery

- Relay interface board incl. terminal block
- Cable gland
- Mounting screws
- Operation manual

### Installation

Please plug the relay interface into the place provided, which is located besides the display. In the correct position the holes of the relay interface match with the thread holes of the DM box.

Now press the PCB down to connect it with the DM. Use both M3x5 screws for fixing the board. Exchange the blind screw on the DM box by the cable gland and install the connection cable of the external circuit (not supplied). connect the external electrical circuit with the terminal blocks. A red LED indicates a closed switch.

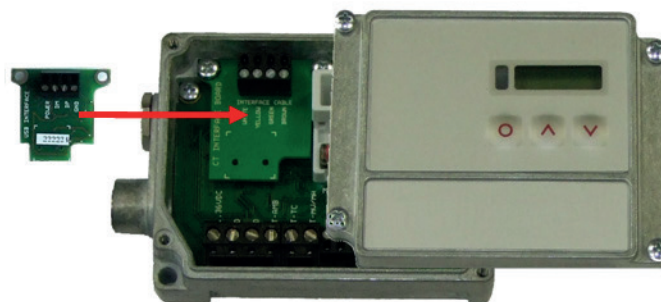
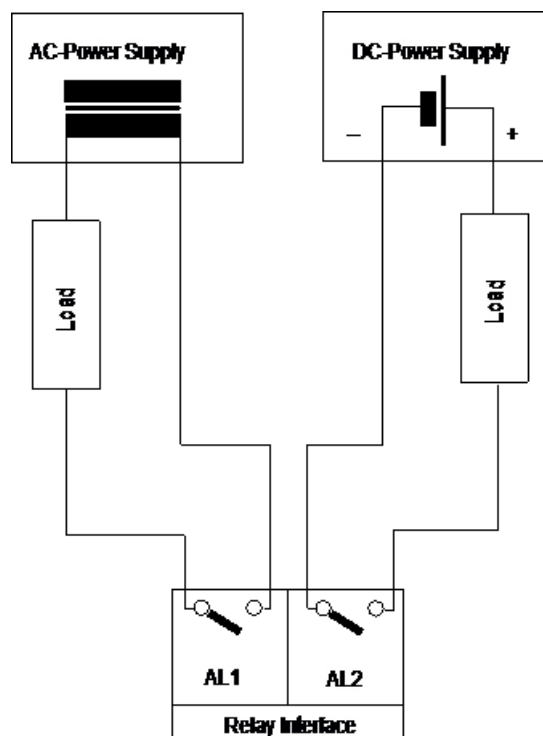
**Note:** The relay board provides two fully isolated switches which have the capability to switch max. 60 VDC/ 42 VAC<sub>RMS</sub>, 0,4 A CD/AC.

### CE-Conformity

The product complies with the following standards:

EMVI:	EN 61326-1:2013 (Basic requirements)
	EN 61326-2-3:2013
Safetyt:	EN 61010-1:2010
RoHS:	2011/65/EU

The product accomplishes the requirements of the EMC Directive 2014/30/EU and of the Low voltage Directive 2014/35/EU.



Installation of the relay interfaxe board



# OPERATION MANUAL



## Relay-Interface Kit

Connection assignment

